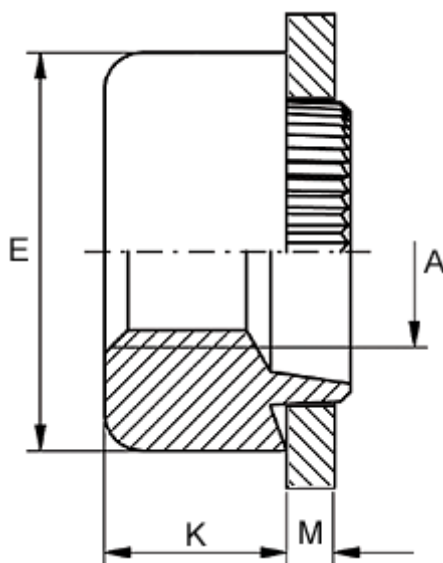


Article number: 12724000050100

Description: KLEE-coil 724 000 050.100
M5 Steel

Measures



Female thread A	= M5
Height K	= 4.0
Outer diameter E	= 9.0
Plate thickness	= 0.9 to 1.0
Recommended bore diameter +0.05	= 7.0